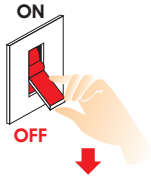


ROLL & ROLL WASH

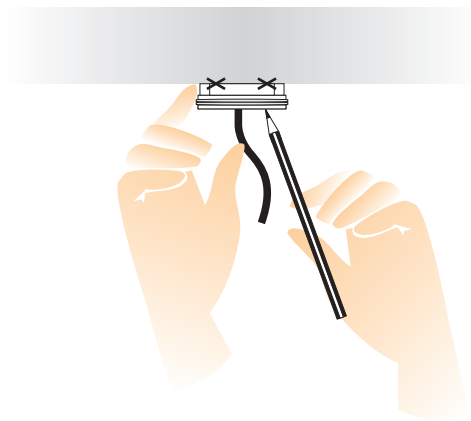
Installation Manual



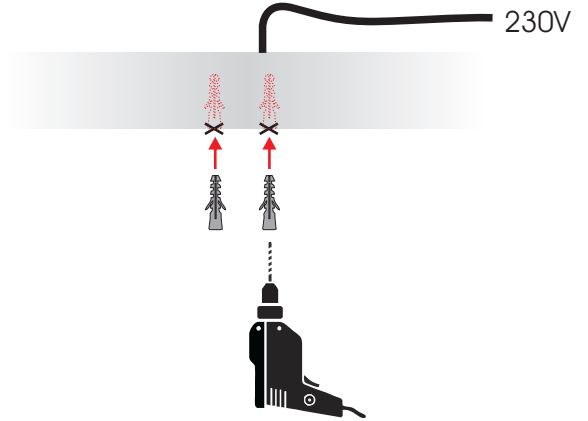
Attention
Before any maintenance switch off the main power.



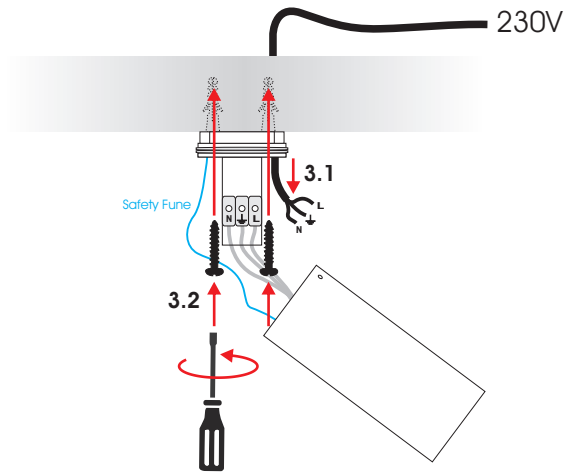
1



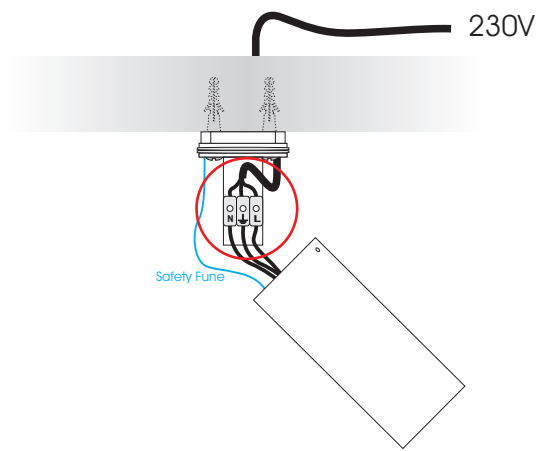
2



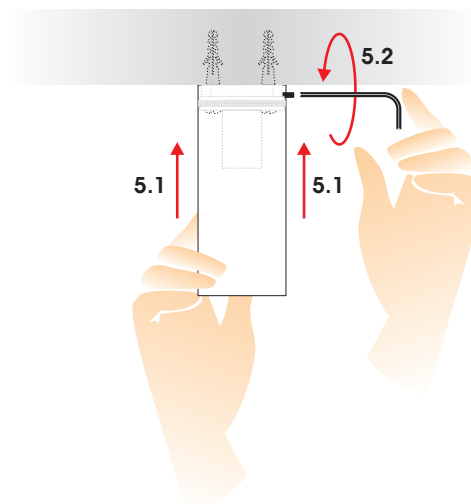
3



4



5



6

